

# INTERNATIONAL STANDARD

## NORME INTERNATIONALE

**Secondary cells and batteries containing alkaline or other non-acid electrolytes – Vented nickel-cadmium prismatic rechargeable single cells**

**Accumulateurs alcalins ou autres accumulateurs à électrolyte non acide – Éléments individuels parallélépipédiques rechargeables ouverts au nickel-cadmium**

IECNORM.COM : Click to view the full PDF of IEC 60623:2017



## THIS PUBLICATION IS COPYRIGHT PROTECTED

Copyright © 2017 IEC, Geneva, Switzerland

All rights reserved. Unless otherwise specified, no part of this publication may be reproduced or utilized in any form or by any means, electronic or mechanical, including photocopying and microfilm, without permission in writing from either IEC or IEC's member National Committee in the country of the requester. If you have any questions about IEC copyright or have an enquiry about obtaining additional rights to this publication, please contact the address below or your local IEC member National Committee for further information.

Droits de reproduction réservés. Sauf indication contraire, aucune partie de cette publication ne peut être reproduite ni utilisée sous quelque forme que ce soit et par aucun procédé, électronique ou mécanique, y compris la photocopie et les microfilms, sans l'accord écrit de l'IEC ou du Comité national de l'IEC du pays du demandeur. Si vous avez des questions sur le copyright de l'IEC ou si vous désirez obtenir des droits supplémentaires sur cette publication, utilisez les coordonnées ci-après ou contactez le Comité national de l'IEC de votre pays de résidence.

IEC Central Office  
3, rue de Varembe  
CH-1211 Geneva 20  
Switzerland

Tel.: +41 22 919 02 11  
Fax: +41 22 919 03 00  
[info@iec.ch](mailto:info@iec.ch)  
[www.iec.ch](http://www.iec.ch)

### About the IEC

The International Electrotechnical Commission (IEC) is the leading global organization that prepares and publishes International Standards for all electrical, electronic and related technologies.

### About IEC publications

The technical content of IEC publications is kept under constant review by the IEC. Please make sure that you have the latest edition, a corrigenda or an amendment might have been published.

#### IEC Catalogue - [webstore.iec.ch/catalogue](http://webstore.iec.ch/catalogue)

The stand-alone application for consulting the entire bibliographical information on IEC International Standards, Technical Specifications, Technical Reports and other documents. Available for PC, Mac OS, Android Tablets and iPad.

#### IEC publications search - [www.iec.ch/searchpub](http://www.iec.ch/searchpub)

The advanced search enables to find IEC publications by a variety of criteria (reference number, text, technical committee,...). It also gives information on projects, replaced and withdrawn publications.

#### IEC Just Published - [webstore.iec.ch/justpublished](http://webstore.iec.ch/justpublished)

Stay up to date on all new IEC publications. Just Published details all new publications released. Available online and also once a month by email.

#### Electropedia - [www.electropedia.org](http://www.electropedia.org)

The world's leading online dictionary of electronic and electrical terms containing 20 000 terms and definitions in English and French, with equivalent terms in 16 additional languages. Also known as the International Electrotechnical Vocabulary (IEV) online.

#### IEC Glossary - [std.iec.ch/glossary](http://std.iec.ch/glossary)

65 000 electrotechnical terminology entries in English and French extracted from the Terms and Definitions clause of IEC publications issued since 2002. Some entries have been collected from earlier publications of IEC TC 37, 77, 86 and CISPR.

#### IEC Customer Service Centre - [webstore.iec.ch/csc](http://webstore.iec.ch/csc)

If you wish to give us your feedback on this publication or need further assistance, please contact the Customer Service Centre: [csc@iec.ch](mailto:csc@iec.ch).

### A propos de l'IEC

La Commission Electrotechnique Internationale (IEC) est la première organisation mondiale qui élabore et publie des Normes internationales pour tout ce qui a trait à l'électricité, à l'électronique et aux technologies apparentées.

### A propos des publications IEC

Le contenu technique des publications IEC est constamment revu. Veuillez vous assurer que vous possédez l'édition la plus récente, un corrigendum ou amendement peut avoir été publié.

#### Catalogue IEC - [webstore.iec.ch/catalogue](http://webstore.iec.ch/catalogue)

Application autonome pour consulter tous les renseignements bibliographiques sur les Normes internationales, Spécifications techniques, Rapports techniques et autres documents de l'IEC. Disponible pour PC, Mac OS, tablettes Android et iPad.

#### Recherche de publications IEC - [www.iec.ch/searchpub](http://www.iec.ch/searchpub)

La recherche avancée permet de trouver des publications IEC en utilisant différents critères (numéro de référence, texte, comité d'études,...). Elle donne aussi des informations sur les projets et les publications remplacées ou retirées.

#### IEC Just Published - [webstore.iec.ch/justpublished](http://webstore.iec.ch/justpublished)

Restez informé sur les nouvelles publications IEC. Just Published détaille les nouvelles publications parues. Disponible en ligne et aussi une fois par mois par email.

#### Electropedia - [www.electropedia.org](http://www.electropedia.org)

Le premier dictionnaire en ligne de termes électroniques et électriques. Il contient 20 000 termes et définitions en anglais et en français, ainsi que les termes équivalents dans 16 langues additionnelles. Egalement appelé Vocabulaire Electrotechnique International (IEV) en ligne.

#### Glossaire IEC - [std.iec.ch/glossary](http://std.iec.ch/glossary)

65 000 entrées terminologiques électrotechniques, en anglais et en français, extraites des articles Termes et Définitions des publications IEC parues depuis 2002. Plus certaines entrées antérieures extraites des publications des CE 37, 77, 86 et CISPR de l'IEC.

#### Service Clients - [webstore.iec.ch/csc](http://webstore.iec.ch/csc)

Si vous désirez nous donner des commentaires sur cette publication ou si vous avez des questions contactez-nous: [csc@iec.ch](mailto:csc@iec.ch).

# INTERNATIONAL STANDARD

# NORME INTERNATIONALE

---

**Secondary cells and batteries containing alkaline or other non-acid electrolytes – Vented nickel-cadmium prismatic rechargeable single cells**

**Accumulateurs alcalins ou autres accumulateurs à électrolyte non acide – Éléments individuels parallélépipédiques rechargeables ouverts au nickel-cadmium**

INTERNATIONAL  
ELECTROTECHNICAL  
COMMISSION

COMMISSION  
ELECTROTECHNIQUE  
INTERNATIONALE

---

ICS 29.220.99

ISBN 978-2-8322-3788-5

**Warning! Make sure that you obtained this publication from an authorized distributor.  
Attention! Veuillez vous assurer que vous avez obtenu cette publication via un distributeur agréé.**

## CONTENTS

FOREWORD .....	4
1 Scope .....	6
2 Normative references .....	6
3 Terms and definitions .....	6
4 Parameter measurement tolerances .....	7
5 Designation and marking .....	7
5.1 Cell designation (mandatory) .....	7
5.2 Cell designation (optional) .....	8
5.3 Cell termination .....	8
5.4 Marking .....	8
5.5 Safety recommendations .....	8
6 Dimensions .....	9
7 Electrical tests .....	10
7.1 General .....	10
7.2 Charging procedure for test purposes .....	10
7.2.1 General .....	10
7.2.2 Charge procedure based on constant current .....	11
7.2.3 Charge procedure based on constant voltage at a given current .....	11
7.2.4 Rapid charge current .....	11
7.3 Discharge performances .....	11
7.3.1 General .....	11
7.3.2 Discharge performance at 20 °C .....	11
7.3.3 Discharge performance at +5 °C .....	12
7.3.4 Discharge performance at –18 °C .....	13
7.3.5 Discharge performance at low temperature .....	13
7.3.6 Discharge performance at high temperature .....	14
7.3.7 High rate current test .....	15
7.4 Charge retention .....	16
7.5 Endurance .....	16
7.5.1 Test conditions .....	16
7.5.2 Endurance in cycles .....	16
7.6 Charge acceptance at constant voltage .....	17
7.7 Vent plug operation .....	18
7.8 Electrolyte retention test .....	18
7.8.1 General .....	18
7.8.2 Test procedure .....	18
7.8.3 Acceptance criteria .....	18
7.9 Storage .....	18
8 Mechanical tests .....	18
9 Physical appearance .....	18
10 Conditions for approval and acceptance .....	19
10.1 Type approval .....	19
10.2 Batch acceptance .....	19
Annex A (normative) CCCV charge methodology .....	21
Bibliography .....	24

Figure 1 – Example of a vented prismatic cell in steel container with two terminals and four lugs.....	9
Figure A.1 – Overview of charging characteristic of Ni-Cd.....	22
Table 1 – Dimensions for vented nickel-cadmium prismatic cells in steel containers .....	9
Table 2 – Dimensions for vented nickel-cadmium prismatic cells in plastic containers.....	10
Table 3 – Measurement tolerances in millimetres (valid for widths and lengths) .....	10
Table 4 – Maximum values for rapid charge current $R$ .....	11
Table 5 – Discharge performance at 20 °C.....	12
Table 6 – Discharge performance at +5 °C.....	12
Table 7 – Discharge performance at –18 °C.....	13
Table 8 – Discharge performance at low temperature .....	14
Table 9 – Discharge performance at high temperature .....	15
Table 10 – High currents values.....	15
Table 11 – Endurance in cycles .....	16
Table 12 – Constant voltage charging conditions .....	17
Table 13 – Charge time.....	17
Table 14 – Sequence of tests for type approval .....	19
Table 15 – Recommended test sequence for batch acceptance .....	20
Table A.1 – Ni-Cd batteries charging characteristics.....	22

IECNORM.COM : Click to view the full PDF of IEC 60623:2017

## INTERNATIONAL ELECTROTECHNICAL COMMISSION

**SECONDARY CELLS AND BATTERIES CONTAINING  
ALKALINE OR OTHER NON-ACID ELECTROLYTES –  
VENTED NICKEL-CADMIUM PRISMATIC RECHARGEABLE SINGLE CELLS**

## FOREWORD

- 1) The International Electrotechnical Commission (IEC) is a worldwide organization for standardization comprising all national electrotechnical committees (IEC National Committees). The object of IEC is to promote international co-operation on all questions concerning standardization in the electrical and electronic fields. To this end and in addition to other activities, IEC publishes International Standards, Technical Specifications, Technical Reports, Publicly Available Specifications (PAS) and Guides (hereafter referred to as "IEC Publication(s)"). Their preparation is entrusted to technical committees; any IEC National Committee interested in the subject dealt with may participate in this preparatory work. International, governmental and non-governmental organizations liaising with the IEC also participate in this preparation. IEC collaborates closely with the International Organization for Standardization (ISO) in accordance with conditions determined by agreement between the two organizations.
- 2) The formal decisions or agreements of IEC on technical matters express, as nearly as possible, an international consensus of opinion on the relevant subjects since each technical committee has representation from all interested IEC National Committees.
- 3) IEC Publications have the form of recommendations for international use and are accepted by IEC National Committees in that sense. While all reasonable efforts are made to ensure that the technical content of IEC Publications is accurate, IEC cannot be held responsible for the way in which they are used or for any misinterpretation by any end user.
- 4) In order to promote international uniformity, IEC National Committees undertake to apply IEC Publications transparently to the maximum extent possible in their national and regional publications. Any divergence between any IEC Publication and the corresponding national or regional publication shall be clearly indicated in the latter.
- 5) IEC itself does not provide any attestation of conformity. Independent certification bodies provide conformity assessment services and, in some areas, access to IEC marks of conformity. IEC is not responsible for any services carried out by independent certification bodies.
- 6) All users should ensure that they have the latest edition of this publication.
- 7) No liability shall attach to IEC or its directors, employees, servants or agents including individual experts and members of its technical committees and IEC National Committees for any personal injury, property damage or other damage of any nature whatsoever, whether direct or indirect, or for costs (including legal fees) and expenses arising out of the publication, use of, or reliance upon, this IEC Publication or any other IEC Publications.
- 8) Attention is drawn to the Normative references cited in this publication. Use of the referenced publications is indispensable for the correct application of this publication.
- 9) Attention is drawn to the possibility that some of the elements of this IEC Publication may be the subject of patent rights. IEC shall not be held responsible for identifying any or all such patent rights.

International Standard IEC 60623 has been prepared by subcommittee 21A: Secondary cells and batteries containing alkaline or other non-acid electrolytes, of IEC technical committee 21: Secondary cells and batteries.

This fifth edition cancels and replaces the fourth edition published in 2001 and constitutes a technical revision.

This edition includes the following significant technical changes with respect to the previous edition:

- optional characterization of cells designed for performances at very low and/or very high temperature;
- optional characterization of cells tested with CCCV charge;
- optional characterization of cells designed for rapid charge;
- optional characterization of cells designed for high cycling.

The text of this standard is based on the following documents:

FDIS	Report on voting
21A/610/FDIS	21A/621/RVD

Full information on the voting for the approval of this standard can be found in the report on voting indicated in the above table.

This publication has been drafted in accordance with the ISO/IEC Directives, Part 2.

The committee has decided that the contents of this publication will remain unchanged until the stability date indicated on the IEC website under "<http://webstore.iec.ch>" in the data related to the specific publication. At this date, the publication will be

- reconfirmed,
- withdrawn,
- replaced by a revised edition, or
- amended.

IECNORM.COM : Click to view the full PDF of IEC 60623:2017

# SECONDARY CELLS AND BATTERIES CONTAINING ALKALINE OR OTHER NON-ACID ELECTROLYTES – VENTED NICKEL-CADMIUM PRISMATIC RECHARGEABLE SINGLE CELLS

## 1 Scope

IEC 60623 specifies marking, designation, dimensions, tests and requirements for vented nickel-cadmium prismatic secondary single cells.

NOTE In this context, "prismatic" refers to cells having rectangular sides and base.

When there exists an IEC standard specifying test conditions and requirements for cells used in special applications and which is in conflict with this document, the former takes precedence.

## 2 Normative references

The following documents are referred to in the text in such a way that some or all of their content constitutes requirements of this document. For dated references, only the edition cited applies. For undated references, the latest edition of the referenced document (including any amendments) applies.

IEC 60050-482:2004, *International Electrotechnical Vocabulary – Part 482: Primary and secondary cells and batteries*

IEC 60417, *Graphical symbols for use on equipment* (available from: <http://www.graphical-symbols.info/equipment>)

## 3 Terms and definitions

For the purposes of this document, the terms and definitions given in IEC 60050-482 and the following apply.

ISO and IEC maintain terminological databases for use in standardization at the following addresses:

- IEC Electropedia: available at <http://www.electropedia.org/>
- ISO Online browsing platform: available at <http://www.iso.org/obp>

### 3.1

#### **vented cell**

secondary cell having a cover provided with an opening through which products of electrolysis and evaporation are allowed to escape freely from the cell to the atmosphere

Note 1 to entry: The opening may be fitted with a venting system.

### 3.2

#### **nominal voltage**

suitable approximate value of the voltage used to designate or identify a cell or a battery

Note 1 to entry: The nominal voltage of a vented nickel-cadmium rechargeable single cell is 1,2 V.

Note 2 to entry: The nominal voltage of a battery of  $n$  series connected cells is equal to  $n$  times the nominal voltage of a single cell.



[SOURCE: IEC 60050-482:2004, 482-03-31, modified – Replacement of the words "a battery or an electrochemical system" by "or a battery" and addition of Notes 1 and 2 to entry.]

### 3.3

#### **discharge voltage**

#### **closed circuit voltage**

DEPRECATED: on load voltage

<cell or battery> voltage between the terminals of a cell or battery when being discharged

[SOURCE: IEC 60050-482:2004, 482-03-28]

### 3.4

#### **rated capacity**

capacity value of a cell or battery determined under specified conditions and declared by the manufacturer

Note 1 to entry: The rated capacity is the quantity of electricity  $C_5$  Ah (ampere-hours) declared by the manufacturer which a single cell can deliver during a 5 h period when charging, storing and discharging under the conditions specified in 7.3.2.

[SOURCE: IEC 60050-482:2004, 482-03-15, modified – Addition of the words "a cell or" in the definition, and of Note 1 to entry.]

### 3.5

#### **CCCV charge**

method of charge consisting in a charge at Constant Current followed by a charge at Constant Voltage

## 4 Parameter measurement tolerances

The overall accuracy of controlled or measured values, relative to the specified or actual values, shall be within these tolerances:

- a)  $\pm 1$  % for voltage;
- b)  $\pm 1$  % for current;
- c)  $\pm 2$  °C for temperature;
- d)  $\pm 0,1$  % for time;
- e)  $\pm 1$  % for capacity.

These tolerances comprise the combined accuracy of the measuring instruments, the measurement techniques used, and all other sources of error in the test procedure.

The details of the instrumentation used shall be provided in any report of results.

## 5 Designation and marking

### 5.1 Cell designation (mandatory)

Vented nickel-cadmium prismatic secondary single cells shall be designated by the letter "K" followed by a letter L, M, H or X which signifies:

- low rate of discharge (L);
- medium rate of discharge (M);
- high rate of discharge (H);
- very high rate of discharge (X).

NOTE 1 These types of cells are typically but not exclusively used for the following discharge rates:

- L up to  $0,5 I_t$  A;
- M up to  $3,5 I_t$  A;
- H up to  $7,0 I_t$  A;
- X up to and above  $7,0 I_t$  A.

NOTE 2 These currents are expressed as multiples of  $I_t$  A, where  $I_t$  A =  $C_5$  Ah/1 h (see IEC 61434).

This group of two letters shall be followed by a group of figures indicative of the rated capacity of the cell in ampere-hours. Cells that have been tested at 20 °C and 5 °C but not at –18 °C shall carry an additional marking of T5: for example: KH 185 or KH 185 T5.

Cells in cases of plastic material shall be designated by the letter "P" after the figures: for example: KH 185 P.

## 5.2 Cell designation (optional)

The additional marking shall be added to the mandatory marking. When the marking would exceed the available space on the cell, this information may be omitted on the cell but shall be provided in the documentation corresponding to the cell and in the type test report.

If there is no mention concerning the marking for temperature, the cells shall have been tested at: –18 °C, 5 °C and 20 °C. Cells tested at other temperatures shall carry an additional marking of T followed by tested temperatures. In case the cell is characterized with both low and high temperature, they shall be indicated in increasing order with a solidus separating them: for example: KH 185 P T-35/+45.

Cells tested with CCCV charges shall carry the marking of CCCV: for example, KH 185 P CCCV.

Cells tested at rapid charge shall carry the marking R and the value of the tested rapid charge current, expressed in multiple of  $I_t$  A: for example, KH 185 P R1.

High grade cycling cells shall carry an additional marking C followed by the number of cycles: for example, KH 185 P C1500.

Cells having been tested with multiple types of tests shall carry the marking for the various tests performed: for example KH 185 P T-35/+45 CCCV R1 C1500.

## 5.3 Cell termination

This document does not specify cell termination.

## 5.4 Marking

Each cell or monobloc shall carry durable markings giving the following minimum information:

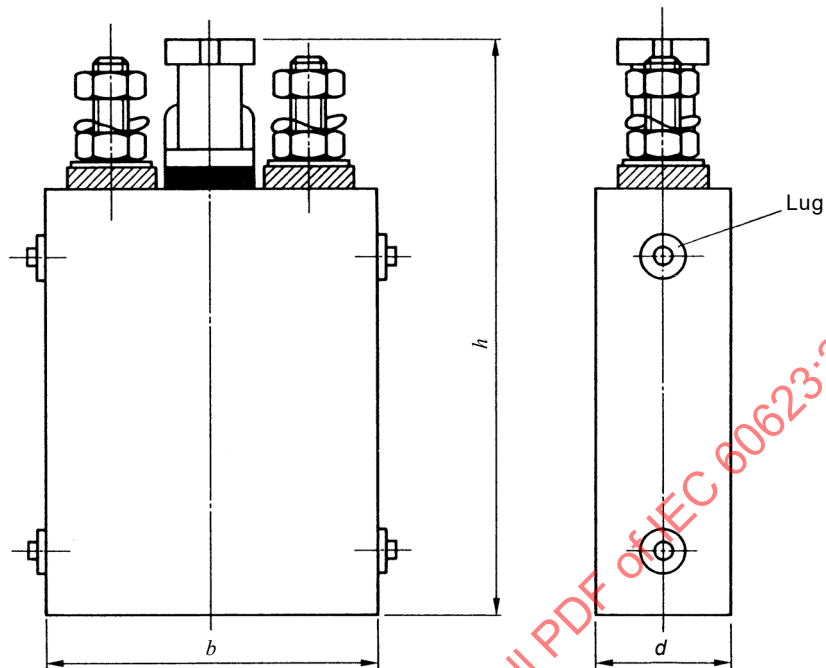
- type of cell (designation as specified in 5.1 and 5.2; in addition, it is permissible for a manufacturer to use his own type designation);
- name or identification of manufacturer or supplier;
- positive terminal: either a red washer or an indented or raised symbol (see graphical symbol IEC 60417-5005:2002-10).

## 5.5 Safety recommendations

The manufacturer shall provide recommendations for the safe handling of the cell. See also IEC TR 61438.

## 6 Dimensions

Dimensions of cells, shown in Figure 1, are given in Tables 1 and 2.



IEC

NOTE 1 Cells in steel container can have two or more terminals and four or more lugs.

NOTE 2 Cells in plastic container can have two or more terminals and no lugs.

**Figure 1 – Example of a vented prismatic cell in steel container with two terminals and four lugs**

**Table 1 – Dimensions for vented nickel-cadmium prismatic cells in steel containers**

Width, $b$ mm	Maximum height, $h$ mm	Lengths, $d$ mm
81	291	83
105	350	91, 130
131	409	36, 50, 56, 66, 78, 94
148	409	52, 76, 100
157	409	66, 84, 95, 116, 134, 143, 147, 166, 200, 225, 242, 410
188	409	128

**Table 2 – Dimensions for vented nickel-cadmium prismatic cells in plastic containers**

Width, <i>b</i> mm	Maximum height, <i>h</i> mm	Lengths, <i>d</i> mm
62	178	28
78	285	50
81	241	28, 36, 43, 48
87	273	47, 86
123	273	28, 40, 50, 61
138	406	48, 55, 61, 70, 77, 85, 105, 115, 265
147	285	53, 78, 102
165	406	42, 66, 75, 105, 110, 130, 160
173	375	122, 197, 287, 392, 517
195	406	29, 34, 40, 50, 64, 80, 94, 115

NOTE 1 The dimensions given in Tables 1 and 2 represent preferred values. For cells with deviating size, dimensions as per Figure 1 are indicated.

NOTE 2 The widths relate to the overall width dimension of the cell excluding the thickness of the lug flanges. The values for widths and lengths given in Tables 1 and 2 are maximum values; their negative tolerances are given in Table 3.

NOTE 3 The values for height given in Tables 1 and 2 relate to the maximum height over the terminals or the closed cell vent, whichever is the greater. No lower limits are stated.

NOTE 4 The dimensions shown in Tables 1 and 2 are not associated to particular cell capacities. They apply to all kinds of vented nickel-cadmium prismatic cells, i.e. L, M, H and X types.

**Table 3 – Measurement tolerances in millimetres (valid for widths and lengths)**

Up to and including 60 mm	0 to –2
Above 60 mm, up to and including 120 mm	0 to –3
Above 120 mm	0 to –4

## 7 Electrical tests

### 7.1 General

Charge and discharge currents for the tests in accordance with 7.1 to 7.9 inclusive shall be based on the value of the rated capacity ( $C_5$  Ah). These currents are expressed as multiples of  $I_t$  A, where  $I_t$  A =  $C_5$  Ah/1 h.

### 7.2 Charging procedure for test purposes

#### 7.2.1 General

Prior to charging, the cells shall have been discharged at  $20\text{ °C} \pm 5\text{ °C}$ , at a constant current of  $0,2 I_t$  A, down to a final voltage of 1,0 V.

Two charging methods are possible, to be selected by the cell manufacturers, in order to define their cells characteristics:

- charge based on constant current;

- charge based on constant voltage, with a value of possible charging current (CCCV).

### 7.2.2 Charge procedure based on constant current

Unless otherwise specified in this standard, the charge preceding the various discharge tests scheduled, shall be carried out in an ambient temperature of  $20\text{ °C} \pm 5\text{ °C}$  and at a constant current of  $0,2 I_t$  A. The duration of the charge shall be 7 h to 8 h.

### 7.2.3 Charge procedure based on constant voltage at a given current

This charge method is based on a constant current followed by constant voltage procedure (CCCV). The choice for the charge methodology for performance determination shall be defined before the start of the tests, and kept throughout all the testing procedures where indicated.

For such charging methodology, two parameters are adjustable: current and voltage. They shall be clearly identified by the cell manufacturer in the description of the cell characteristics, as well as in the cell marking: for example KH 185 P CCCV R1.

The charging methodology CCCV is described in Annex A.

### 7.2.4 Rapid charge current

The charging current value for performance determination shall be selected before the start of the tests, and kept throughout all the tests where indicated.

The design charge current value shall be indicated in the manufacturer's documentation attached to the cell (e.g.  $0,5 I_t$  A or  $1 I_t$  A) which will be referred to as  $R$  in this standard, as well as in the approval documentation. This current is a maximum value. Table 4 shows preferred values for the rapid charge current.

**Table 4 – Maximum values for rapid charge current  $R$**

Charge current for CCCV	$0,5 I_t$ A	$1,0 I_t$ A	$2,0 I_t$ A	$3,0 I_t$ A
-------------------------	-------------	-------------	-------------	-------------

In case no rapid charge current is defined, it shall be taken at  $0,2 I_t$  A. Otherwise, the rapid charge current rate selected shall be clearly indicated in the report of test.

## 7.3 Discharge performances

### 7.3.1 General

The following discharge tests shall be carried out in the sequence given.

All cells shall be tested at  $20\text{ °C}$  as well as at  $+5\text{ °C}$  and/or  $-18\text{ °C}$ .

### 7.3.2 Discharge performance at $20\text{ °C}$

#### 7.3.2.1 Test method

The cell shall have been charged in accordance with 7.2.2. After charging, the cell shall be stored, in an ambient temperature of  $20\text{ °C} \pm 5\text{ °C}$ , for not less than 1 h and not more than 4 h.

It shall then be discharged in the same ambient temperature and as specified in Table 5.

### 7.3.2.2 Acceptance criteria

The duration of discharge shall be not less than the minimum specified in Table 5.

The 0,2  $I_t$  A discharge test is performed in order to verify the declared rated capacity of the cell.

**Table 5 – Discharge performance at 20 °C**

Discharge conditions		Minimum discharge duration			
Rate of constant current	Final voltage	Cell designation			
A	V	L	M	H	X
0,2 $I_t$ <sup>a</sup>	1,0	5 h	5 h	5 h	5 h
1,0 $I_t$	1,0	–	40 min	50 min	55 min
5,0 $I_t$ <sup>b</sup>	0,8	–	–	4 min	7 min
10,0 $I_t$ <sup>b</sup>	0,8	–	–	–	2 min

<sup>a</sup> Five cycles are permitted for this test which shall, however, be terminated at the end of the first cycle which meets the requirement.

<sup>b</sup> Before the 5  $I_t$  A and the 10  $I_t$  A discharge tests, a conditioning cycle may be included if necessary. This cycle shall consist of charging and discharging at 0,2  $I_t$  A in accordance with 7.2.1 and 7.2.2.

### 7.3.3 Discharge performance at +5 °C

#### 7.3.3.1 Test method

The cell shall have been charged in accordance with 7.2.2. After charging, the cell shall be stored, in an ambient temperature of +5 °C ± 2 °C, for 24 h. Means shall be provided to ensure that the electrolyte temperature has reached +5 °C ± 2 °C within 24 h.

It shall then be discharged in the same ambient temperature and as specified in Table 6.

#### 7.3.3.2 Acceptance criteria

The duration of discharge shall be not less than the minimum specified in Table 6.

**Table 6 – Discharge performance at +5 °C**

Discharge conditions		Minimum discharge duration			
Rate of constant current	Final voltage	Cell designation			
A	V	L	M	H	X
0,2 $I_t$	1,0	4 h 15 min	4 h 25 min	4 h 35 min	4 h 45 min
1,0 $I_t$	1,0	–	31 min	43 min	52 min
2,0 $I_t$ <sup>a</sup>	1,0	–	–	12 min	22 min
5,0 $I_t$ <sup>a</sup>	0,8	–	–	–	5 min 30 s

<sup>a</sup> Before the 2  $I_t$  A and 5  $I_t$  A tests, a conditioning cycle may be included if necessary. This cycle shall consist of charging and discharging at 0,2  $I_t$  A, in an ambient temperature of 20 °C ± 5 °C, according to 7.2.1 and 7.2.2.

### 7.3.4 Discharge performance at $-18\text{ °C}$

#### 7.3.4.1 Test method

The cell shall have been charged in accordance with 7.2.2. After charging, the cell shall be stored in an ambient temperature of  $-18\text{ °C} \pm 2\text{ °C}$ , for 24 h. Means shall be provided to ensure that the electrolyte temperature has reached  $-18\text{ °C} \pm 2\text{ °C}$  within 24 h.

It shall then be discharged in the same ambient temperature and as specified in Table 7.

#### 7.3.4.2 Acceptance criteria

The duration of discharge shall be not less than the minimum specified in Table 7.

**Table 7 – Discharge performance at  $-18\text{ °C}$**

Discharge conditions		Minimum discharge duration			
Rate of constant current	Final voltage	Cell designation			
A	V	L	M	H	X
$0,2 I_t$	1,0	2 h 30 min	3 h	3 h 30 min	4 h
$1,0 I_t$	0,9	–	15 min	25 min	35 min
$2,0 I_t^a$	0,9	–	–	7 min 30 s	12 min
$5,0 I_t^a$	0,8	–	–	–	3 min 30 s

<sup>a</sup> Before the  $2 I_t$  A and  $5 I_t$  A discharge tests, a conditioning cycle may be included if necessary. This cycle shall consist of charging and discharging at  $0,2 I_t$  A, in an ambient temperature of  $20\text{ °C} \pm 5\text{ °C}$ , according to 7.2.1 and 7.2.2.

### 7.3.5 Discharge performance at low temperature

#### 7.3.5.1 General

This test is optional. This test is performed in order to identify the rated low temperature  $T_L$  and the level of performance of the cell at this temperature.

#### 7.3.5.2 Test method

The temperature should be expressed at  $5\text{ °C}$  intervals, such as  $-25\text{ °C}$ ,  $-30\text{ °C}$ ,  $-35\text{ °C}$ ,  $-40\text{ °C}$ , referred to as  $T_L$  in the following. The test shall be done at the targeted low temperature  $T_L$  (no need for intermediate temperatures) to verify the discharge performance as specified in Table 8.

**Table 8 – Discharge performance at low temperature**

Discharge conditions		Minimum discharge duration			
Rate of constant current	Final voltage	Cell designation			
A	V	L	M	H	X
0,2 $I_t$	1	2 h 30 min	3 h	3 h	3 h
1,0 $I_t$	0,9	–	15 min	20 min	30 min
2,0 $I_t$	0,9	–	–	5 min	10 min

<sup>a</sup> Before the 1  $I_t$  A and 2  $I_t$  A discharge tests, a conditioning cycle may be included if necessary. This cycle shall consist of charging and discharging at 0,2  $I_t$  A, in an ambient temperature of 20 °C ± 5 °C, according to 7.2.1 and 7.2.2.

Capacity shall be measured in accordance with the following steps.

- Step 1 The cell shall be fully charged using the method in accordance with 7.2.2, 7.2.3 or 7.2.4 at 20 °C (whatever constant current or constant current followed by constant voltage).
- Step 2 The cell shall be stored at an ambient temperature  $T_L$  for not less than 16 h and not more than 24 h
- Step 3 The cell shall then be discharged at  $T_L$  and as specified in Table 8 to the corresponding final voltage.

**7.3.5.3 Acceptance criteria**

The capacity (Ah), delivered during step 3 shall be not less than specified for this characteristic at any discharge current. Then the cell low temperature discharge performance shall be declared as the  $T_L$  grade.

**7.3.6 Discharge performance at high temperature**

**7.3.6.1 General**

This test is optional. This test applies to cell designed for permanent operation at a temperature higher than +30 °C. This test is performed in order to identify the rated high temperature  $T_H$ , and the level of performance of the cell at this temperature.

**7.3.6.2 Test method**

The temperature should be expressed at 5 °C intervals, such as +30 °C, +35 °C, +40 °C, referred to as  $T_H$  in the following. The test shall be done at the targeted high temperature  $T_H$  (no need for intermediate temperatures) to verify the discharge performance as specified in Table 9.



**Table 9 – Discharge performance at high temperature**

Discharge conditions		Minimum discharge duration			
Rate of constant current	Final voltage	Cell designation			
A	V	L	M	H	X
0,2 $I_t$ <sup>a</sup>	1,0	5 h	5 h	5 h	5 h
1,0 $I_t$	1,0	–	40 min	50 min	55 min
5,0 $I_t$ <sup>b</sup>	0,8	–	–	4 min	7 min
10,0 $I_t$ <sup>b</sup>	0,8	–	–	–	2 min

<sup>a</sup> Five cycles are permitted for this test (a conditioning cycle may be included between if necessary) which shall, however, be terminated at the end of the first cycle which meets the requirement.

<sup>b</sup> Before the 1  $I_t$  A , 5  $I_t$  A and the 10  $I_t$  A discharge tests, a conditioning cycle may be included if necessary. This cycle shall consist of charging and discharging at 0,2  $I_t$  A in accordance with 7.2.1 and 7.2.2.

Capacity shall be measured in accordance with the following steps.

- Step 1 The cell shall be fully charged using the method in accordance with 7.2.2, 7.2.3 or 7.2.4 at  $T_H$  (whatever CC or CCCV, in accordance with the cell designation).
- Step 2 The cell shall be kept for not more than 4 h at an ambient temperature  $T_H$ . It is allowed to have the charger still connected in its normal function mode.
- Step 3 The cell shall then be discharged at  $T_H$  and as specified in Table 9 to the corresponding final voltage.

### 7.3.6.3 Acceptance criteria

The capacity (Ah), delivered during step 3 shall be not less than specified for this characteristic at any discharge current. Then the cell high temperature discharge performance shall be declared as  $T_H$  grade.

### 7.3.7 High rate current test

#### 7.3.7.1 General

This test is to evaluate the ability of a cell to withstand high currents.

#### 7.3.7.2 Test method

The cell shall have been charged in accordance with 7.2.2. After charging, the cell shall be stored, in an ambient temperature of  $20\text{ °C} \pm 5\text{ °C}$ , for not less than 1 h and not more than 4 h. It shall then be discharged for 5 s in the same ambient temperature and at the currents given in Table 10. During the discharge, the terminal voltage shall be recorded.

**Table 10 – High currents values**

Cell type	Rate of constant current
L	6 $I_t$ A
M	10 $I_t$ A
H	15 $I_t$ A
X	20 $I_t$ A

### 7.3.7.3 Acceptance criteria

No fusing, no deformation of cell case, no deformation of internal cell components shall be observed. In addition, the cell voltage during the discharge should show no discontinuity.

### 7.4 Charge retention

The charge retention shall be verified by the following test.

After charging in accordance with 7.2.2, the cell shall be stored on open circuit for 28 days. The average ambient temperature shall be  $20\text{ °C} \pm 2\text{ °C}$ . The temperature may be allowed to vary within the range of  $20\text{ °C} \pm 5\text{ °C}$  for short periods during the storage.

The cell shall then be discharged under the conditions specified in 7.3.2 at a rate of  $0,2 I_t$  A.

The duration of the discharge shall be not less than 4 h.

### 7.5 Endurance

#### 7.5.1 Test conditions

The endurance test shall be carried out in an ambient temperature of  $20\text{ °C} \pm 5\text{ °C}$ . Precautions shall be taken to prevent the electrolyte temperature from rising above  $+40\text{ °C}$  during the test, for example by providing a forced air draught if necessary. The electrolyte may be topped up during the test with deionized or distilled water to the level recommended by the manufacturer. The electrolyte may be changed if at any time its characteristics no longer comply with the manufacturer's recommendation.

The cell shall be prepared in accordance with 7.2.2.

#### 7.5.2 Endurance in cycles

##### 7.5.2.1 Cycles 1 to 50

The cycling shall be carried out under the conditions specified in Table 11. Charge and discharge shall be carried out at constant current throughout. Cycling shall be continuous, except that it is permissible to allow the cell to stand for a short period at the end of discharge of each 49<sup>th</sup> and 50<sup>th</sup> cycle in order to start the next 50-cycle sequence at a convenient time.

**Table 11 – Endurance in cycles**

Cycle number	Charge	Discharge
1	0,25 $I_t$ A for 6 h for CC charge Charge for $R I_t$ A for $1/R$ h + 0,25 $I_t$ A for 2 h <sup>a</sup>	0,25 $I_t$ A for 2 h 30 min
2 to 48	0,25 $I_t$ A for 3 h 30 min Charge for $R I_t$ A for $0,6/R$ h + 0,25 $I_t$ A for 1 h <sup>a</sup>	0,25 $I_t$ A for 2 h 30 min
49	0,25 $I_t$ A for 3 h 30 min Charge for $R I_t$ A for $0,6/R$ h + 0,25 $I_t$ A for 1 h <sup>a</sup>	0,2 $I_t$ A to 1,0 V
50	0,2 $I_t$ A for 7 h to 8 h	0,2 $I_t$ A to 1,0 V
<sup>a</sup> For rapid charge cells, value for $R$ is defined in 7.2.4.		

##### 7.5.2.2 Acceptance criterion

Cycles 1 to 50 shall be repeated until the discharge duration on any 50<sup>th</sup> cycle becomes less than 3 h 30 min. At this stage, a further cycle shall be carried out in accordance with 7.3.2 at a rate of  $0,2 I_t$  A.

The endurance test is considered complete when two such successive cycles give discharge duration less than 3 h 30 min.

The number of cycles obtained when the test is completed shall be not less than 500.

Some cells can be specifically designed in order to provide a higher number of cycles than 500.

As an option, such cell can be marked by "C" as "High grade cycling endurance cells" according to 5.2. The marking shall be less than the number of cycles obtained in this test. The number of cycles shall be truncated to the lowest multiple of 100 (e.g. 800, 1 500). It shall be indicated in the report of tests.

## 7.6 Charge acceptance at constant voltage

The cell shall have been discharged in accordance with 7.2.1.

The cell shall then be charged at a constant voltage as specified in Table 12 for cells having performances compliant with CC charge methodology (with a maximum charge duration of 24 h), or as specified in 7.2.3 for CCCV marked cells.

**Table 12 – Constant voltage charging conditions**

Cell type	Charge voltage V
KX	1,425 ± 0,005
KM and KH	1,455 ± 0,005
KL	1,495 ± 0,005

The charging current shall be limited to  $R I_t$  A and the ambient temperature shall be  $20\text{ °C} \pm 5\text{ °C}$ . The duration of the charge shall be as described in Table 13.

**Table 13 – Charge time**

Charge current $R I_t$ A	Maximum charge time associated
0,05 $I_t$ A	30 h
0,1 $I_t$ A	24 h
0,2 $I_t$ A	24 h
0,5 $I_t$ A	12 h
1,0 $I_t$ A	6 h
2,0 $I_t$ A	6 h
3,0 $I_t$ A	6 h

After charging, the cell shall be stored, in an ambient temperature of  $20\text{ °C} \pm 5\text{ °C}$ , for not less than 1 h and not more than 4 h. It shall then be discharged under the conditions specified in 7.3.2 at a rate of  $0,2 I_t$  A.

The duration of discharge shall be not less than 4 h.

## 7.7 Vent plug operation

This document does not specify a vent plug operation test.

## 7.8 Electrolyte retention test

### 7.8.1 General

During charge, gases are generated within the cell, and electrolyte will be carried in a fine spray in this gas flow resulting in loss of electrolyte to the atmosphere. To prevent these losses, baffles are inserted within the cell or within the venting system that closes the cell. This test is to evaluate the ability of a cell to prevent electrolyte losses.

### 7.8.2 Test procedure

Prior to the test the electrolyte level shall have been adjusted to the maximum level according to the manufacturer's instructions. The cell shall be initially charged in accordance with 7.2.2 or 7.2.3.

The charge shall be continued, at a constant current of  $0,05 I_t$  A, for 2 h. The gas coming out of the vent during the 2 h overcharge shall be collected into three collection bottles connected in series and filled with a solution of sulphuric acid of 1/200 mol/l. After the overcharge, the quantity of potassium hydroxide absorbed in the sulphuric acid solution shall be measured.

### 7.8.3 Acceptance criteria

There shall be no electrolyte overflow during the initial charge.

The total amount of entrained potassium hydroxide shall be not more than 0,05 mg/Ah overcharged.

## 7.9 Storage

The cells shall be prepared for storage according to the manufacturer's instructions. The cells shall then be stored for a period of 12 months in an average ambient temperature of  $20\text{ °C} \pm 5\text{ °C}$  and at a relative humidity of  $65\% \pm 20\%$ . During the storage period the ambient temperature shall not at any time fluctuate beyond the limits of  $20\text{ °C} \pm 10\text{ °C}$ .

After completion of the storage period, the cells shall be prepared for use according to the manufacturer's instructions. The cells are then subjected to the tests specified in 7.3.2 and shall meet all the requirements of that subclause.

## 8 Mechanical tests

Mechanical tests should be designed in relation to the intended application. This document does not therefore specify mechanical tests, which should be the subject of agreement between the customer and the manufacturer.

## 9 Physical appearance

Visual inspection shall be performed on cells. No cracking, damage or corrosion shall be apparent. Any deformation shall be within the tolerances of the dimensions specified in the manufacturer's drawings.

## 10 Conditions for approval and acceptance

### 10.1 Type approval

For type approval the sample sizes and sequence of tests given in Table 14 shall be used. The total number of cells required for type approval is 21. Cells used for the testing shall be new cells.

All cells shall be subjected to the tests in group A. Then they are divided randomly into four groups of five cells each, denominated B, C, D and E respectively. This allows one spare cell which permits a repeat test to cover any incident occurring outside the supplier's responsibility. Tests shall be carried out in sequence within each group of cells.

The number of defective cells tolerated per group, and in total, is given in Table 14. A cell is considered to be defective if it does not meet the requirements of all or part of the tests of a group.

**Table 14 – Sequence of tests for type approval**

Group	Sample size	Clause or subclause	Tests	Number of defective cells	
				Per group	In total
A	21	5.4 6 7.3.2	Marking Dimensions Discharge at 20 °C	0	2
B	5	7.3.3 and/or 7.3.4	Discharge at +5 °C and/or –18 °C HT / LT testing	1	
		7.3.5	Discharge performance at low temperature		
		7.3.6	Discharge performance at high temperature		
		7.3.7	High rate currents		
C	5	7.5.2	Endurance in cycles	1	
D	5	7.6	Charge acceptance at constant voltage	1	
		7.4	Charge retention		
		7.8	Electrolyte retention		
E	5	7.9	Storage	1	
		9	Physical appearance		

### 10.2 Batch acceptance

These tests are applicable to deliveries of individual cells.

Unless otherwise agreed between supplier and purchaser, inspections and tests shall be performed using inspection levels and AQLs (acceptable quality level) recommended in Table 15. The sampling procedure should be established in accordance with IEC 60410.

**Table 15 – Recommended test sequence for batch acceptance**

Group	Clause or sub-clause	Inspection/Tests	Recommendation	
			Inspection level	AQL %
A		Visual inspection	II	4
B	6	Physical inspection		
		Dimensions	S3	1
	Weight	S3	1	
	5.4	Marking	S3	1
C	7.3.2	Electrical inspection		
		Open circuit voltage and polarity	II	0,65
		Discharge at 20 °C	S3	1

NOTE Two or more failures on a single cell are not cumulative. Only the failure corresponding to the lowest AQL is taken into consideration.

IECNORM.COM : Click to view the full PDF of IEC 60623:2017

## Annex A (normative)

### CCCV charge methodology

This charge method is based on a charge at constant current followed by a charge at constant voltage (CCCV). The chosen charge parameters shall be mentioned in the type approval certificate.

The parameters for the CCCV charge are the charging current and the charging voltage per cell with a temperature correction factor. This annex is describing how to apply those parameters.

The maximum charge time is defined depending upon charging current acceptable by the cell during regular charging as defined in Table 13. The charge time duration will then be adjusted for the characterization as per the following values (in case of charge current between the recommended steps, the highest duration between the limit values will be used).

Two parameters have to be defined.

- The constant voltage value is the voltage value at which the current shall be reduced in order not to exceed the recommended voltage described below. This value is defined at 20 °C.
- The voltage correction factor shall be selected in dependence of the temperature and as described below (voltage correction depending upon the temperature).

Charge characteristics are to be selected in a way to ensure high state of charge under normal operating conditions, and lowest possible water consumption (for vented systems).

Ni-Cd cells can be charged with a charging current based on a ratio of its rated capacity  $C_5$  Ah, with single or dual level of constant voltage, depending on the considered technology, as specified in Table A.1.

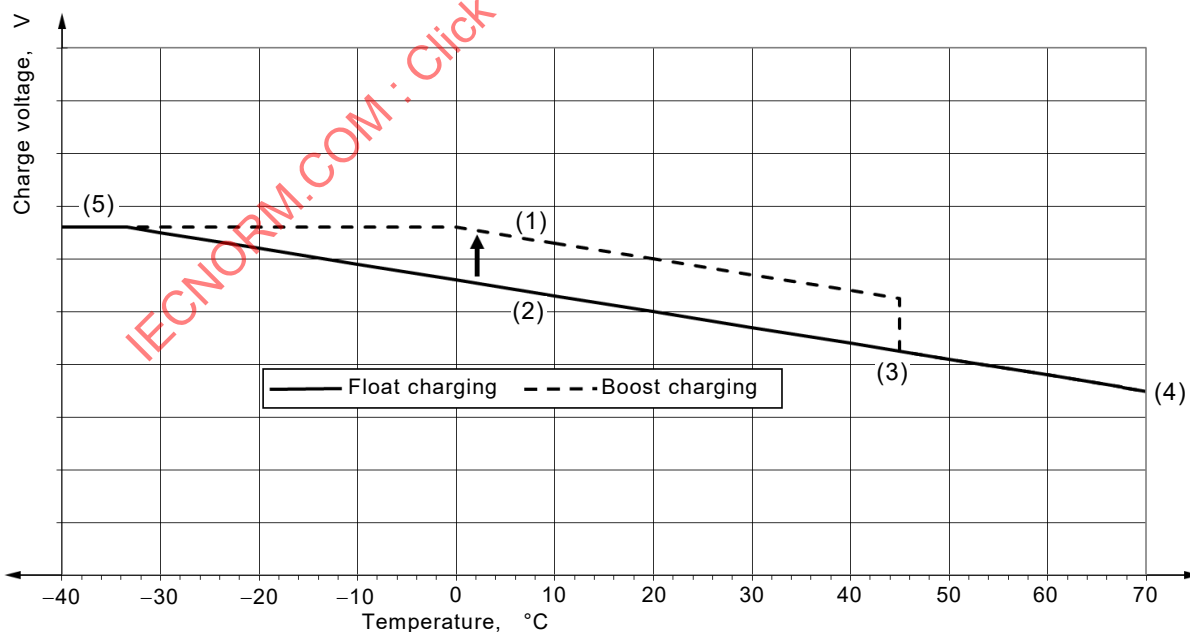
IECNORM.COM : Click to view the full PDF of IEC 60623:2017

**Table A.1 – Ni-Cd batteries charging characteristics**

Ni-Cd batteries charging characteristics		Float charging voltage at 20 °C	Boost charge at 20 °C	Remarks
Basic data for single level charging	Float charging voltage at 20 °C	1,47 V / cell <sup>a</sup>	NA	See point (2) on Figure A.1
Basic data for 2 levels charging (boost charge)	Float charging voltage at 20 °C	1,45 V / cell <sup>a</sup>	1,65 V / cell <sup>a</sup>	See point (2) on Figure A.1
	Mandatory, change from boost to float charging	NA	45 °C	See point (3) on Figure A.1
Temperature correction		-3 mV / cell / °C <sup>b</sup>		See Figure A.1
Switching set points (all charge modes)	Mandatory stop charging of battery	70 °C		See point (4) on Figure A.1
	Standard, from boost to float charging	NA	$I < 0,05 I_t A^a$	Current measurement necessary
	Standard, from float to boost charging	$I > 0,05 I_t A^a$	NA	Current measurement necessary

<sup>a</sup> The values of the charging voltages for the different charge modes are indicative values. The manufacturer may choose different values for reaching a certain state of charge. Those values shall be clearly indicated in the cell documentation, as well as on the approval certificate. The voltage tolerance should be taken at maximum ±1 %.

<sup>b</sup> A temperature compensation is necessary. A typical value is of -0,003 V / °C / cell. In case the numerical value shall be adjusted for some type of cells specified as CCCV, it shall be clearly indicated in the manufacturer's documentation and in the approval documents. It is possible to have 2 values: one for temperatures lower than 20 °C and one for temperature higher than 20 °C.



IEC

NOTE This figure shows a temperature compensated charging of -3 mV / °C per cell based on 20 °C for Ni-Cd technologies batteries constant voltage charging (1 or 2 levels) with a current limit.

**Figure A.1 – Overview of charging characteristic of Ni-Cd**



The typical charging voltage for most applications is as shown (per cell), temperature corrected, bringing higher or lower voltage values (at more or less than charge voltage at 20 °C).

A maximum voltage limit (as described on point (5) in Figure A.1) is shown for information, and cannot be taken into consideration for testing, as dependent upon the application.

IECNORM.COM : Click to view the full PDF of IEC 60623:2017

## Bibliography

IEC 60051 (all parts), *Direct acting indicating analogue electrical measuring instruments and their accessories*

IEC 60410, *Sampling plans and procedures for inspection by attributes*

IEC 60485, *Digital electronic d.c. voltmeters and d.c. electronic analogue-to-digital convertors*<sup>1</sup>

IEC 61434, *Secondary cells and batteries containing alkaline or other non-acid electrolytes – Guide to designation of current in alkaline secondary cell and battery standards*

IEC TR 61438, *Possible safety and health hazards in the use of alkaline secondary cells and batteries – Guide to equipment manufacturers and users*

IECNORM.COM : Click to view the full PDF of IEC 60623:2017

---

<sup>1</sup> This publication was withdrawn.

[IECNORM.COM](https://www.iecnorm.com) : Click to view the full PDF of IEC 60623:2017

## SOMMAIRE

AVANT-PROPOS .....	28
1 Domaine d'application .....	30
2 Références normatives .....	30
3 Termes et définitions .....	30
4 Tolérances de mesure des paramètres .....	31
5 Désignation et marquage .....	31
5.1 Désignation des éléments (obligatoire) .....	31
5.2 Désignation des éléments (facultative) .....	32
5.3 Sorties électriques des éléments .....	32
5.4 Marquage .....	32
5.5 Recommandations de sécurité .....	33
6 Dimensions .....	33
7 Essais électriques .....	34
7.1 Généralités .....	34
7.2 Mode de charge pour les essais .....	34
7.2.1 Généralités .....	34
7.2.2 Mode de charge à courant constant .....	35
7.2.3 Mode de charge à tension constante à un courant donné .....	35
7.2.4 Courant de charge rapide .....	35
7.3 Caractéristiques de décharge .....	35
7.3.1 Généralités .....	35
7.3.2 Caractéristiques de décharge à 20 °C .....	35
7.3.3 Caractéristiques de décharge à +5 °C .....	36
7.3.4 Caractéristiques de décharge à –18 °C .....	37
7.3.5 Caractéristiques de décharge à basse température .....	37
7.3.6 Caractéristique de décharge à haute température .....	38
7.3.7 Essai à forts courants .....	39
7.4 Conservation de charge .....	40
7.5 Endurance .....	40
7.5.1 Conditions d'essai .....	40
7.5.2 Endurance en cycles .....	40
7.6 Aptitude à la charge à tension constante .....	41
7.7 Fonctionnement de la fermeture .....	42
7.8 Essai de conservation d'électrolyte .....	42
7.8.1 Généralités .....	42
7.8.2 Méthode d'essai .....	42
7.8.3 Critères d'acceptation .....	42
7.9 Stockage .....	42
8 Essais mécaniques .....	42
9 Apparence physique .....	43
10 Conditions d'homologation et de réception .....	43
10.1 Homologation .....	43
10.2 Conditions de réception .....	43
Annexe A (normative) Méthode de charge CCCV .....	45
Bibliographie .....	48

Figure 1 – Exemple d'un élément parallélépipédique ouvert à bac acier à deux bornes et quatre boutons de suspension .....	33
Figure A.1 – Vue d'ensemble des caractéristiques de charge d'éléments Ni-Cd .....	46
Tableau 1 – Dimensions des éléments parallélépipédiques ouverts au nickel-cadmium à bac acier .....	33
Tableau 2 – Dimensions des éléments parallélépipédiques ouverts au nickel-cadmium à bac plastique .....	34
Tableau 3 – Tolérances de mesure en millimètres (valable pour les largeurs et longueurs) .....	34
Tableau 4 – Valeurs maximales pour le courant de charge rapide $R$ .....	35
Tableau 5 – Caractéristiques de décharge à 20 °C .....	36
Tableau 6 – Caractéristiques de décharge à +5 °C .....	36
Tableau 7 – Caractéristiques de décharge à –18 °C .....	37
Tableau 8 – Caractéristiques de décharge à basse température .....	38
Tableau 9 – Caractéristiques de décharge à haute température .....	39
Tableau 10 – Valeurs des courants élevés .....	39
Tableau 11 – Endurance en cycles .....	40
Tableau 12 – Conditions de charge à tension constante .....	41
Tableau 13 – Temps de charge .....	41
Tableau 14 – Séquence des essais pour homologation .....	43
Tableau 15 – Séquence d'essais recommandée pour la réception de lots .....	44
Tableau A.1 – Caractéristiques de charge des batteries Ni-Cd .....	46

IECNORM.COM : Click to view the full PDF of IEC 60623:2017

## COMMISSION ÉLECTROTECHNIQUE INTERNATIONALE

**ACCUMULATEURS ALCALINS OU AUTRES  
ACCUMULATEURS À ÉLECTROLYTE NON ACIDE –  
ÉLÉMENTS INDIVIDUELS PARALLÉLÉPIPÉDIQUES  
RECHARGEABLES OUVERTS AU NICKEL-CADMIUM**

## AVANT-PROPOS

- 1) La Commission Electrotechnique Internationale (IEC) est une organisation mondiale de normalisation composée de l'ensemble des comités électrotechniques nationaux (Comités nationaux de l'IEC). L'IEC a pour objet de favoriser la coopération internationale pour toutes les questions de normalisation dans les domaines de l'électricité et de l'électronique. A cet effet, l'IEC – entre autres activités – publie des Normes internationales, des Spécifications techniques, des Rapports techniques, des Spécifications accessibles au public (PAS) et des Guides (ci-après dénommés "Publication(s) de l'IEC"). Leur élaboration est confiée à des comités d'études, aux travaux desquels tout Comité national intéressé par le sujet traité peut participer. Les organisations internationales, gouvernementales et non gouvernementales, en liaison avec l'IEC, participent également aux travaux. L'IEC collabore étroitement avec l'Organisation Internationale de Normalisation (ISO), selon des conditions fixées par accord entre les deux organisations.
- 2) Les décisions ou accords officiels de l'IEC concernant les questions techniques représentent, dans la mesure du possible, un accord international sur les sujets étudiés, étant donné que les Comités nationaux de l'IEC intéressés sont représentés dans chaque comité d'études.
- 3) Les Publications de l'IEC se présentent sous la forme de recommandations internationales et sont agréées comme telles par les Comités nationaux de l'IEC. Tous les efforts raisonnables sont entrepris afin que l'IEC s'assure de l'exactitude du contenu technique de ses publications; l'IEC ne peut pas être tenue responsable de l'éventuelle mauvaise utilisation ou interprétation qui en est faite par un quelconque utilisateur final.
- 4) Dans le but d'encourager l'uniformité internationale, les Comités nationaux de l'IEC s'engagent, dans toute la mesure possible, à appliquer de façon transparente les Publications de l'IEC dans leurs publications nationales et régionales. Toutes divergences entre toutes Publications de l'IEC et toutes publications nationales ou régionales correspondantes doivent être indiquées en termes clairs dans ces dernières.
- 5) L'IEC elle-même ne fournit aucune attestation de conformité. Des organismes de certification indépendants fournissent des services d'évaluation de conformité et, dans certains secteurs, accèdent aux marques de conformité de l'IEC. L'IEC n'est responsable d'aucun des services effectués par les organismes de certification indépendants.
- 6) Tous les utilisateurs doivent s'assurer qu'ils sont en possession de la dernière édition de cette publication.
- 7) Aucune responsabilité ne doit être imputée à l'IEC, à ses administrateurs, employés, auxiliaires ou mandataires, y compris ses experts particuliers et les membres de ses comités d'études et des Comités nationaux de l'IEC, pour tout préjudice causé en cas de dommages corporels et matériels, ou de tout autre dommage de quelque nature que ce soit, directe ou indirecte, ou pour supporter les coûts (y compris les frais de justice) et les dépenses découlant de la publication ou de l'utilisation de cette Publication de l'IEC ou de toute autre Publication de l'IEC, ou au crédit qui lui est accordé.
- 8) L'attention est attirée sur les références normatives citées dans cette publication. L'utilisation de publications référencées est obligatoire pour une application correcte de la présente publication.
- 9) L'attention est attirée sur le fait que certains des éléments de la présente Publication de l'IEC peuvent faire l'objet de droits de brevet. L'IEC ne saurait être tenue pour responsable de ne pas avoir identifié de tels droits de brevets et de ne pas avoir signalé leur existence.

La Norme Internationale IEC 60623 a été établie par le sous-comité 21A: Accumulateurs alcalins et autres accumulateurs à électrolyte non acide, du comité d'études 21 de l'IEC: Accumulateurs.

Cette cinquième édition annule et remplace la quatrième édition parue en 2001 dont elle constitue une révision technique.

Cette édition inclut les modifications techniques majeures suivantes par rapport à l'édition précédente:

- caractérisation facultative d'éléments conçus pour des performances à très basse et/ou très haute température;
- caractérisation facultative d'éléments soumis aux essais avec des charges CCCV;

- caractérisation facultative d'éléments conçus pour une charge rapide;
- caractérisation facultative d'éléments conçus pour des cyclages élevés.

Le texte de cette norme est issu des documents suivants:

FDIS	Rapport de vote
21A/610/FDIS	21A/621/RVD

Le rapport de vote indiqué dans le tableau ci-dessus donne toute information sur le vote ayant abouti à l'approbation de cette norme.

Cette publication a été rédigée selon les Directives ISO/IEC, Partie 2.

Le comité a décidé que le contenu de cette publication ne sera pas modifié avant la date de stabilité indiquée sur le site web de l'IEC sous "<http://webstore.iec.ch>" dans les données relatives à la publication recherchée. A cette date, la publication sera

- reconduite,
- supprimée,
- remplacée par une édition révisée, ou
- amendée.

IECNORM.COM : Click to view the full PDF of IEC 60623:2017

# ACCUMULATEURS ALCALINS OU AUTRES ACCUMULATEURS À ÉLECTROLYTE NON ACIDE – ÉLÉMENTS INDIVIDUELS PARALLÉLÉPIPÉDIQUES RECHARGEABLES OUVERTS AU NICKEL-CADMIUM

## 1 Domaine d'application

L'IEC 60623 spécifie le marquage, la désignation, les dimensions, les essais et les exigences applicables aux éléments individuels parallélépipédiques rechargeables, ouverts, au nickel-cadmium.

NOTE Dans le cadre du présent document, le qualificatif "parallélépipédique" se réfère aux éléments possédant des faces et une base rectangulaires.

En cas d'existence d'une norme IEC spécifiant des conditions d'essai et des exigences pour des éléments destinés à des applications particulières, et qui serait en contradiction avec le présent document, la publication particulière est appliquée en priorité.

## 2 Références normatives

Les documents suivants cités dans le texte constituent, pour tout ou partie de leur contenu, des exigences du présent document. Pour les références datées, seule l'édition citée s'applique. Pour les références non datées, la dernière édition du document de référence s'applique (y compris les éventuels amendements).

IEC 60050-482:2004, *Vocabulaire Electrotechnique International – Partie 482: Piles et accumulateurs électriques*

IEC 60417, *Symboles graphiques utilisables sur le matériel* (disponible à l'adresse: <http://www.graphical-symbols.info/equipment>)

## 3 Termes et définitions

Pour les besoins du présent document, les termes et les définitions de l'IEC 60050-482 ainsi que les suivants, s'appliquent.

L'ISO et l'IEC tiennent à jour des bases de données terminologiques destinées à être utilisées en normalisation, consultables aux adresses suivantes:

- IEC Electropedia: disponible à l'adresse <http://www.electropedia.org/>
- ISO Online browsing platform: disponible à l'adresse <http://www.iso.org/obp>

### 3.1 élément ouvert

élément d'accumulateur ayant un couvercle muni d'une ouverture au travers de laquelle les produits issus de l'électrolyse et de l'évaporation sont évacués librement de l'accumulateur vers l'atmosphère

Note 1 à l'article: L'ouverture peut être pourvue d'un dispositif à évent.

### 3.2 tension nominale

valeur approchée appropriée d'une tension, utilisée pour désigner ou identifier un élément ou une batterie



Note 1 à l'article: La tension nominale d'un élément individuel rechargeable ouvert au nickel-cadmium est de 1,2 V.

Note 2 à l'article: La tension nominale d'une batterie de  $n$  éléments connectés en série est égale à  $n$  fois la tension nominale d'un élément individuel.

[SOURCE: IEC 60050-482:2004, 482-03-31, modifiée – Remplacement des mots "une batterie, ou un système électrochimique" par "ou une batterie" et ajout des Notes 1 et 2 à l'article.]

### 3.3

#### **tension de décharge**

<élément ou batterie> tension électrique entre les bornes d'un élément ou d'une batterie pendant la décharge

[SOURCE: IEC 60050-482:2004, 482-03-28]

### 3.4

#### **capacité assignée**

valeur de la capacité d'un élément ou d'une batterie déterminée dans des conditions spécifiées et déclarée par le fabricant

Note 1 à l'article: La capacité assignée est la quantité d'électricité  $C_5$  Ah (ampères-heures) indiquée par le fabricant, qu'un élément individuel peut restituer pendant 5 h après charge, repos et décharge, dans les conditions spécifiées en 7.3.2.

[SOURCE: IEC 60050-482:2004, 482-03-15, modifiée – Ajout des mots "d'un élément ou" dans la définition, et de la Note 1 à l'article.]

### 3.5

#### **charge CCCV**

méthode de charge constituée d'une charge à courant constant (Constant Current) suivie d'une charge à tension constante (Constant Voltage)

## 4 Tolérances de mesure des paramètres

La précision totale des valeurs contrôlées ou mesurées, par rapport aux valeurs spécifiées ou réelles, doit respecter les tolérances suivantes:

- a)  $\pm 1$  % pour la tension;
- b)  $\pm 1$  % pour le courant;
- c)  $\pm 2$  °C pour la température;
- d)  $\pm 0,1$  % pour le temps;
- e)  $\pm 1$  % pour la capacité.

Ces tolérances comprennent la précision combinée des appareils de mesure, des techniques de mesure utilisées et de toutes les autres sources d'erreur liées à la méthode d'essai.

Le détail des appareils utilisés doit être fourni dans chaque rapport de résultats.

## 5 Désignation et marquage

### 5.1 Désignation des éléments (obligatoire)

Les éléments individuels parallélépipédiques, ouverts au nickel-cadmium doivent être désignés par la lettre "K" suivie d'une lettre L, M, H ou X qui indique:

- un régime de décharge faible (L);

- un régime de décharge moyen (M);
- un régime de décharge élevé (H);
- un régime de décharge très élevé (X).

NOTE 1 Ces types d'éléments sont généralement mais non exclusivement utilisés pour les régimes de décharge suivants:

- L jusqu'à  $0,5 I_t A$ ;
- M jusqu'à  $3,5 I_t A$ ;
- H jusqu'à  $7,0 I_t A$ ;
- X jusqu'à  $7,0 I_t A$  et au-dessus.

NOTE 2 Ces courants sont exprimés sous la forme de multiples de  $I_t A$ , où  $I_t A = C_5 \text{ Ah}/1 \text{ h}$  (voir IEC 61434)

Ce groupe de deux lettres doit être suivi d'un groupe de chiffres indiquant la capacité assignée de l'élément, en ampères-heures. Les éléments qui ont été soumis aux essais à  $20^\circ\text{C}$  et à  $5^\circ\text{C}$ , mais pas à  $-18^\circ\text{C}$ , doivent porter le marquage supplémentaire T5: par exemple, KH 185 ou KH 185 T5.

Les éléments à bac plastique doivent être désignés par la lettre "P" après les chiffres: par exemple, KH 185 P.

## 5.2 Désignation des éléments (facultative)

Un marquage supplémentaire doit être ajouté au marquage obligatoire. S'il n'y a pas assez de place sur l'élément pour ce marquage, les informations peuvent être omises sur l'élément, mais elles doivent figurer dans la documentation relative à l'élément et dans le rapport d'essai de type.

Si le marquage de la température n'est pas mentionné, les éléments doivent être soumis à des essais à  $-18^\circ\text{C}$ , à  $5^\circ\text{C}$  et à  $20^\circ\text{C}$ . Les éléments soumis à des essais à d'autres températures doivent porter un marquage supplémentaire T suivi des températures d'essai. Si l'élément est caractérisé avec une température basse et une température haute, elles doivent être indiquées dans l'ordre croissant, séparées par une barre oblique: par exemple: KH 185 P T-35/+45.

Les éléments soumis aux essais avec des charges CCCV doivent porter le marquage CCCV: par exemple, KH 185 P CCCV.

Les éléments soumis aux essais en charge rapide doivent porter le marquage R ainsi que la valeur du courant de charge rapide de l'essai, exprimée en multiple de  $I_t A$ : par exemple, KH 185 P R1.

Les éléments conçus pour cyclage à haut niveau doivent porter le marquage supplémentaire C suivi du nombre de cycles: par exemple, KH 185 P C1500.

Les éléments ayant été soumis à plusieurs types d'essais doivent porter le marquage des différents essais réalisés: par exemple, KH 185 P T-35/+45 CCCV R1 C1500.

## 5.3 Sorties électriques des éléments

Le présent document ne comporte pas de spécification concernant les sorties électriques des éléments.

## 5.4 Marquage

Chaque élément ou monobloc doit comporter un marquage durable donnant les indications minimales suivantes:

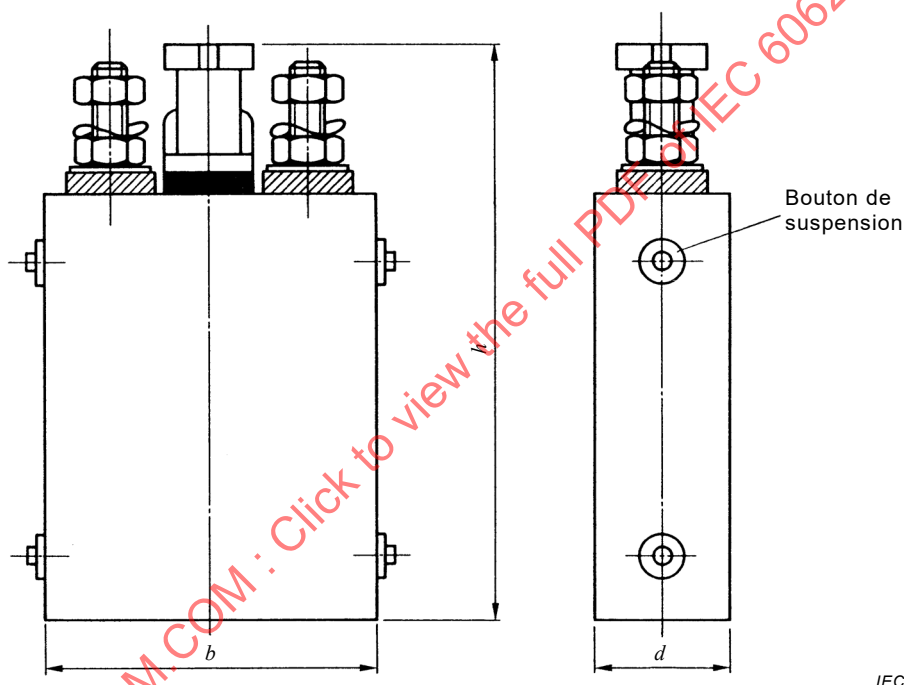
- type d'élément (désignation conforme à 5.1 et 5.2; en outre, il est admis qu'un fabricant utilise sa propre désignation);
- nom ou identification du fabricant ou du fournisseur;
- borne positive: soit une rondelle rouge, soit un symbole en creux ou en relief (voir symbole graphique IEC 60417-5005:2002-10).

### 5.5 Recommandations de sécurité

Le fabricant doit fournir des recommandations pour la manipulation en toute sécurité de l'élément. Voir aussi l'IEC TR 61438.

## 6 Dimensions

Les dimensions des éléments représentés sur la Figure 1 sont données dans les Tableaux 1 et 2.



IEC

NOTE 1 Les éléments à bac acier peuvent avoir deux bornes ou plus et plus de quatre boutons de suspension.

NOTE 2 Les éléments à bac plastique peuvent avoir deux bornes ou plus mais pas de boutons de suspension.

**Figure 1 – Exemple d'un élément parallélépipédique ouvert à bac acier à deux bornes et quatre boutons de suspension**

**Tableau 1 – Dimensions des éléments parallélépipédiques ouverts au nickel-cadmium à bac acier**

Largeur, $b$ mm	Hauteur maximale, $h$ mm	Longueurs, $d$ mm
81	291	83
105	350	91, 130
131	409	36, 50, 56, 66, 78, 94
148	409	52, 76, 100
157	409	66, 84, 95, 116, 134, 143, 147, 166, 200, 225, 242, 410
188	409	128

**Tableau 2 – Dimensions des éléments parallélépipédiques ouverts au nickel-cadmium à bac plastique**

Largeur, <i>b</i> mm	Hauteur maximale, <i>h</i> mm	Longueurs, <i>d</i> mm
62	178	28
78	285	50
81	241	28, 36, 43, 48
87	273	47, 86
123	273	28, 40, 50, 61
138	406	48, 55, 61, 70, 77, 85, 105, 115, 265
147	285	53, 78, 102
165	406	42, 66, 75, 105, 110, 130, 160
173	375	122, 197, 287, 392, 517
195	406	29, 34, 40, 50, 64, 80, 94, 115

NOTE 1 Les dimensions données dans les Tableaux 1 et 2 sont des valeurs préférentielles. Pour les éléments de tailles différentes, les dimensions indiquées sur la Figure 1 sont indiquées.

NOTE 2 Les valeurs concernant les largeurs se rapportent à la largeur hors tout de l'élément en excluant l'épaisseur de la tôle des boutons de suspension. Les valeurs concernant les largeurs et les longueurs données dans les Tableaux 1 et 2 sont des valeurs maximales, et les tolérances négatives qui s'y appliquent sont indiquées dans le Tableau 3.

NOTE 3 Les valeurs concernant la hauteur données dans les Tableaux 1 et 2 se rapportent à la hauteur maximale, sur les bornes ou sur les ouvertures fermées des éléments, à savoir celle qui est la plus importante. Aucune limitation inférieure n'est donnée.

NOTE 4 Les dimensions données dans les Tableaux 1 et 2 ne sont pas associées à des capacités particulières d'éléments. Elles s'appliquent à tous les types d'éléments parallélépipédiques ouverts au nickel-cadmium, c'est-à-dire aux types L, M, H et X.

**Tableau 3 – Tolérances de mesure en millimètres (valable pour les largeurs et longueurs)**

Jusqu'à 60 mm inclus	0 à -2
Supérieur à 60 mm et jusqu'à 120 mm inclus	0 à -3
Supérieur à 120 mm	0 à -4

## 7 Essais électriques

### 7.1 Généralités

Les courants de charge et de décharge utilisés pour les essais conformément à 7.1 à 7.9 inclus doivent se rapporter à la capacité assignée ( $C_5$  Ah). Ces courants sont exprimés sous la forme de multiples de  $I_t$  A, où  $I_t$  A =  $C_5$  Ah/1 h.

### 7.2 Mode de charge pour les essais

#### 7.2.1 Généralités

Avant la charge, les éléments doivent être déchargés à  $20\text{ °C} \pm 5\text{ °C}$ , à un courant constant de  $0,2 I_t$  A, jusqu'à une tension finale de 1,0 V.

Deux méthodes de charge peuvent être sélectionnées par le fabricant d'éléments afin de définir les caractéristiques des éléments:

- une charge à courant constant;
- une charge à tension constante, avec une valeur de courant de charge possible (CCCV).

### 7.2.2 Mode de charge à courant constant

Sauf spécification contraire dans la présente norme, la charge précédant les différents essais de décharge prévus doit être effectuée à une température ambiante de  $20\text{ °C} \pm 5\text{ °C}$  et à un courant constant de  $0,2 I_t$  A. La durée de la charge doit être de 7 h à 8 h.

### 7.2.3 Mode de charge à tension constante à un courant donné

Cette méthode de charge consiste en une charge à courant constant suivie d'une charge à tension constante (CCCV). La méthode de charge pour déterminer les performances doit être choisie avant le début des essais et conservée pendant toutes les procédures d'essai lorsque cela est indiqué.

Pour une telle méthode de charge, deux paramètres sont réglables: le courant et la tension. Ils doivent être clairement identifiés par le fabricant d'éléments dans la description des caractéristiques de l'élément, mais aussi sur le marquage de l'élément: par exemple: KH 185 P CCCV R1.

La méthode de charge CCCV est décrite à l'Annexe A.

### 7.2.4 Courant de charge rapide

La valeur du courant de charge pour déterminer les caractéristiques doit être choisie avant le début des essais et conservée pendant tous les essais lorsque cela est indiqué.

La valeur du courant de charge de conception doit être indiquée dans la documentation du fabricant relative à l'élément (par exemple  $0,5 I_t$  A ou  $1 I_t$  A), que l'on appelle  $R$  dans la présente norme, ainsi que dans les documents d'homologation. Ce courant est une valeur maximale. Le Tableau 4 présente les valeurs préférentielles pour le courant de charge rapide.

**Tableau 4 – Valeurs maximales pour le courant de charge rapide  $R$**

Courant de charge pour CCCV	$0,5 I_t$ A	$1,0 I_t$ A	$2,0 I_t$ A	$3,0 I_t$ A
-----------------------------	-------------	-------------	-------------	-------------

Si aucun courant de charge rapide n'est défini, la valeur doit être  $0,2 I_t$  A. Sinon, le régime de courant de charge rapide choisi doit être clairement indiqué dans le rapport d'essai.

## 7.3 Caractéristiques de décharge

### 7.3.1 Généralités

Les essais de décharge ci-après doivent être effectués dans l'ordre indiqué.

Tous les éléments doivent être soumis aux essais à  $20\text{ °C}$ , ainsi qu'à  $+5\text{ °C}$  et/ou  $-18\text{ °C}$ .

### 7.3.2 Caractéristiques de décharge à $20\text{ °C}$

#### 7.3.2.1 Méthode d'essai

L'élément doit être chargé conformément à 7.2.2. Après la charge, l'élément doit être mis au repos, à une température ambiante de  $20\text{ °C} \pm 5\text{ °C}$ , pendant au moins 1 h et au plus 4 h.

Il doit ensuite être déchargé à la même température ambiante et comme spécifié dans le Tableau 5.

### 7.3.2.2 Critères d'acceptation

La durée de la décharge ne doit pas être inférieure aux valeurs minimales spécifiées dans le Tableau 5.

L'essai de décharge à  $0,2 I_t$  A est réalisé pour vérifier la capacité assignée déclarée de l'élément.

**Tableau 5 – Caractéristiques de décharge à 20 °C**

Conditions de décharge		Durée minimale de décharge			
Valeur du courant constant	Tension finale	Désignation de l'élément			
A	V	L	M	H	X
$0,2 I_t^a$	1,0	5 h	5 h	5 h	5 h
$1,0 I_t$	1,0	–	40 min	50 min	55 min
$5,0 I_t^b$	0,8	–	–	4 min	7 min
$10,0 I_t^b$	0,8	–	–	–	2 min

<sup>a</sup> Cinq cycles sont admis pour cet essai qui doit toutefois être terminé à l'issue du premier cycle qui satisfait aux exigences.

<sup>b</sup> Avant les essais de décharge à  $5 I_t$  A et  $10 I_t$  A, un cycle de conditionnement peut être effectué si nécessaire. Ce cycle doit consister en une charge et une décharge à  $0,2 I_t$  A, conformément à 7.2.1 et à 7.2.2.

### 7.3.3 Caractéristiques de décharge à +5 °C

#### 7.3.3.1 Méthode d'essai

L'élément doit être chargé conformément à 7.2.2. Après la charge, l'élément doit être mis au repos, à une température ambiante de  $+5\text{ °C} \pm 2\text{ °C}$ , pendant 24 h. Des moyens doivent être mis en œuvre pour s'assurer que la température de l'électrolyte a atteint  $+5\text{ °C} \pm 2\text{ °C}$  dans les 24 h.

Il doit ensuite être déchargé à la même température ambiante et comme spécifié dans le Tableau 6.

#### 7.3.3.2 Critères d'acceptation

La durée de la décharge ne doit pas être inférieure aux valeurs minimales spécifiées dans le Tableau 6.

**Tableau 6 – Caractéristiques de décharge à +5 °C**

Conditions de décharge		Durée minimale de décharge			
Valeur du courant constant	Tension finale	Désignation de l'élément			
A	V	L	M	H	X
$0,2 I_t$	1,0	4 h 15 min	4 h 25 min	4 h 35 min	4 h 45 min
$1,0 I_t$	1,0	–	31 min	43 min	52 min
$2,0 I_t^a$	1,0	–	–	12 min	22 min
$5,0 I_t^a$	0,8	–	–	–	5 min 30 s

<sup>a</sup> Avant les essais à  $2 I_t$  A et à  $5 I_t$  A, un cycle de conditionnement peut être effectué si nécessaire. Ce cycle doit consister en une charge et une décharge à  $0,2 I_t$  A, à une température ambiante de  $20\text{ °C} \pm 5\text{ °C}$ , conformément à 7.2.1 et à 7.2.2.

### 7.3.4 Caractéristiques de décharge à $-18\text{ °C}$

#### 7.3.4.1 Méthode d'essai

L'élément doit être chargé conformément à 7.2.2. Après la charge, l'élément doit être mis au repos, à une température ambiante de  $-18\text{ °C} \pm 2\text{ °C}$ , pendant 24 h. Des moyens doivent être mis en œuvre pour s'assurer que la température de l'électrolyte a atteint  $-18\text{ °C} \pm 2\text{ °C}$  dans les 24 h.

Il doit ensuite être déchargé à la même température ambiante et comme spécifié dans le Tableau 7.

#### 7.3.4.2 Critères d'acceptation

La durée de la décharge ne doit pas être inférieure aux valeurs minimales spécifiées dans le Tableau 7.

**Tableau 7 – Caractéristiques de décharge à  $-18\text{ °C}$**

Conditions de décharge		Durée minimale de décharge			
Valeur du courant constant	Tension finale	Désignation de l'élément			
A	V	L	M	H	X
$0,2 I_t$	1,0	2 h 30 min	3 h	3 h 30 min	4 h
$1,0 I_t$	0,9	–	15 min	25 min	35 min
$2,0 I_t^a$	0,9	–	–	7 min 30 s	12 min
$5,0 I_t^a$	0,8	–	–	–	3 min 30 s

<sup>a</sup> Avant les essais de décharge à  $2 I_t$  A et  $5 I_t$  A, un cycle de conditionnement peut être effectué si nécessaire. Ce cycle doit consister en une charge et une décharge à  $0,2 I_t$  A, à une température ambiante de  $20\text{ °C} \pm 5\text{ °C}$ , conformément à 7.2.1 et à 7.2.2.

### 7.3.5 Caractéristiques de décharge à basse température

#### 7.3.5.1 Généralités

Cet essai est facultatif. Il est réalisé pour identifier la basse température assignée  $T_L$  et le niveau de performances de l'élément à cette température.

#### 7.3.5.2 Méthode d'essai

Il convient d'exprimer la température à des intervalles de  $5\text{ °C}$  de la manière suivante:  $-25\text{ °C}$ ,  $-30\text{ °C}$ ,  $-35\text{ °C}$ ,  $-40\text{ °C}$ , que l'on appelle  $T_L$  dans la suite du document. L'essai doit être réalisé à la basse température cible  $T_L$  (les températures intermédiaires sont inutiles) pour vérifier les caractéristiques de décharge comme spécifié dans le Tableau 8.

**Tableau 8 – Caractéristiques de décharge à basse température**

Conditions de décharge		Durée minimale de décharge			
Valeur du courant constant	Tension finale	Désignation de l'élément			
A	V	L	M	H	X
0,2 $I_t$	1	2 h 30 min	3 h	3 h	3 h
1,0 $I_t$	0,9	–	15 min	20 min	30 min
2,0 $I_t$	0,9	–	–	5 min	10 min

<sup>a</sup> Avant les essais de décharge à 1  $I_t$  A et 2  $I_t$  A, un cycle de conditionnement peut être effectué si nécessaire. Ce cycle doit consister en une charge et une décharge à 0,2  $I_t$  A, à une température ambiante de 20 °C ± 5 °C, conformément à 7.2.1 et à 7.2.2.

La capacité doit être mesurée selon les étapes suivantes:

- Etape 1 L'élément doit être complètement chargé en utilisant la méthode de 7.2.2, 7.2.3 ou 7.2.4 à 20 °C (à courant constant ou à courant constant suivi d'une tension constante).
- Etape 2 L'élément doit être mis au repos à une température ambiante  $T_L$  pendant au moins 16 h et au plus 24 h.
- Etape 3 L'élément doit ensuite être déchargé à  $T_L$  et comme spécifié dans le Tableau 8 jusqu'à la tension finale correspondante.

### 7.3.5.3 Critères d'acceptation

La capacité (Ah), obtenue à l'étape 3 ne doit pas être inférieure à celle spécifiée pour cette caractéristique quel que soit le courant de décharge. Les performances de décharge de l'élément à basse température doivent être déclarées comme la classe  $T_L$ .

## 7.3.6 Caractéristique de décharge à haute température

### 7.3.6.1 Généralités

Cet essai est facultatif. Il s'applique aux éléments conçus pour fonctionner en permanence à une température supérieure à +30 °C. Cet essai est réalisé pour identifier la haute température assignée  $T_H$  et le niveau de performances de l'élément à cette température.

### 7.3.6.2 Méthode d'essai

Il convient d'exprimer la température à des intervalles de 5 °C, par exemple +30 °C, +35 °C, +40 °C, que l'on appelle  $T_H$  dans la suite du document. L'essai doit être réalisé à la haute température cible  $T_H$  (les températures intermédiaires sont inutiles) pour vérifier les caractéristiques de décharge comme spécifié dans le Tableau 9.



**Tableau 9 – Caractéristiques de décharge à haute température**

Conditions de décharge		Durée minimale de décharge			
Valeur du courant constant	Tension finale	Désignation de l'élément			
A	V	L	M	H	X
0,2 $I_t$ <sup>a</sup>	1,0	5 h	5 h	5 h	5 h
1,0 $I_t$	1,0	–	40 min	50 min	55 min
5,0 $I_t$ <sup>b</sup>	0,8	–	–	4 min	7 min
10,0 $I_t$ <sup>b</sup>	0,8	–	–	–	2 min

<sup>a</sup> Cinq cycles sont admis pour cet essai (un cycle de conditionnement peut être inclus si nécessaire) qui doit toutefois être terminé à l'issue du premier cycle qui satisfait aux exigences.

<sup>b</sup> Avant les essais à 1  $I_t$  A, 5  $I_t$  A et 10  $I_t$  A, un cycle de conditionnement peut être effectué si nécessaire. Ce cycle doit consister en une charge et une décharge à 0,2  $I_t$  A, conformément à 7.2.1 et à 7.2.2.

La capacité doit être mesurée selon les étapes suivantes:

- Etape 1 L'élément doit être complètement chargé en utilisant la méthode de 7.2.2, 7.2.3 ou 7.2.4 à  $T_H$  (à courant constant (CC) ou à courant constant suivi d'une tension constante (CCCV) en fonction de la désignation de l'élément).
- Etape 2 L'élément doit être conservé pendant 4 h au maximum à une température ambiante  $T_H$ . Il est autorisé de garder le chargeur connecté dans son mode de fonctionnement normal.
- Etape 3 L'élément doit ensuite être déchargé à  $T_H$  et comme spécifié dans le Tableau 9 jusqu'à la tension finale correspondante.

### 7.3.6.3 Critères d'acceptation

La capacité (Ah), obtenue à l'étape 3 ne doit pas être inférieure à celle spécifiée pour cette caractéristique quel que soit le courant de décharge. Les performances de décharge de l'élément à haute température doivent être déclarées comme la classe  $T_H$ .

### 7.3.7 Essai à forts courants

#### 7.3.7.1 Généralités

Cet essai a pour but d'évaluer l'aptitude de l'élément à supporter des courants élevés.

#### 7.3.7.2 Méthode d'essai

L'élément doit être chargé conformément à 7.2.2. Après la charge, l'élément doit être mis au repos, à une température ambiante de  $20\text{ °C} \pm 5\text{ °C}$ , pendant au moins 1 h et au plus 4 h. Il doit ensuite être déchargé pendant 5 s à la même température ambiante et aux intensités précisées dans le Tableau 10. Pendant la décharge, la tension aux bornes doit être enregistrée.

**Tableau 10 – Valeurs des courants élevés**

Type d'élément	Valeur du courant constant
L	6 $I_t$ A
M	10 $I_t$ A
H	15 $I_t$ A
X	20 $I_t$ A